

# Accessories



## Clamp

Part No.	Description	Applicable model	Range of clamp diameter	Mass(kg)
LBP002183	Clamp A	HKC30N/HKA30N	φ30mm~50mm	0.2
LBP002184	Clamp B			0.2
LBP002090	Clamp A	HKC60N/HKA60N	φ32mm~52mm	0.4
LBP002091	Clamp B			0.3
LBP002185	Clamp A	HKC120N/HKA120N	φ32mm~52mm	0.4
LBP002186	Clamp B			0.4
LBP002092	Clamp A	HKC200N/HKA200N	φ40mm~65mm	0.8
LBP002093	Clamp B			0.8
LBP002187	Clamp A	HKA300N	φ48mm~73mm	1.1
LBP002188	Clamp B			0.9



## Rotation clamp

By using this clamp, you can rotate tools for 360-degree.

Part No.	Description	Applicable model	Range of clamp diameter	Mass(kg)
LBP002148	Rotation clamp	HKC60N/HKA60N	φ50mm	1.0
LBP002149	Rotation clamp	HKC200N/HKA200N	φ63mm	1.9

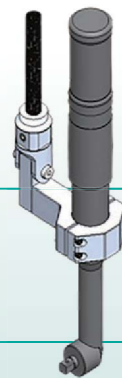


## Vertical tightening unit

It allows vertical direction tightening work.

\*The stroke will be reduced when you use vertical tightening unit.  
Please ask us when you would like to know about the detailed specification of this unit.

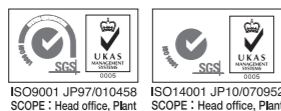
Part No.	Description	Applicable model	Mass(kg)
LBP002142	Vertical tightening unit	HKC60N1800	2.53
LBP002164	Vertical tightening unit	HKC60N2500	2.73



We could also offer customized accessories according to customer's request.  
Feel free to contact our sales team

**ENDO** ENDO KOGYO CO., LTD.

3-14-7, Akibacho, Tsubame, Niigata, Japan  
TEL : +81-256-62-5131 FAX.+81-256-62-5772  
<http://www.endo-kogyo.co.jp>



**ENDO** ENDO KOGYO INDIA PVT. LTD.

101, First Floor, Aditya Towers  
LullaNagar, Off Kondhwa Road, Pune - 411 040  
TEL : +91-86-00042752  
<http://www.endo-india.co.in>

\*Items shown in this leaflet are subject to change without notice. Please note we have no responsibility for missing and fault on this printing.

Printed in October 2019 1000 ®

**ENDO**

# Counter reaction balancer HKC series



Carbon telescopic arm and steel clamp can absorb the counter reaction force and built-in balancer supports positioning of the tool.

## Usage examples by tool type



## CAD data

You can download it from below link.

→ <http://www.endo-kogyo.co.jp/japanese/download/index.html>

## Specification

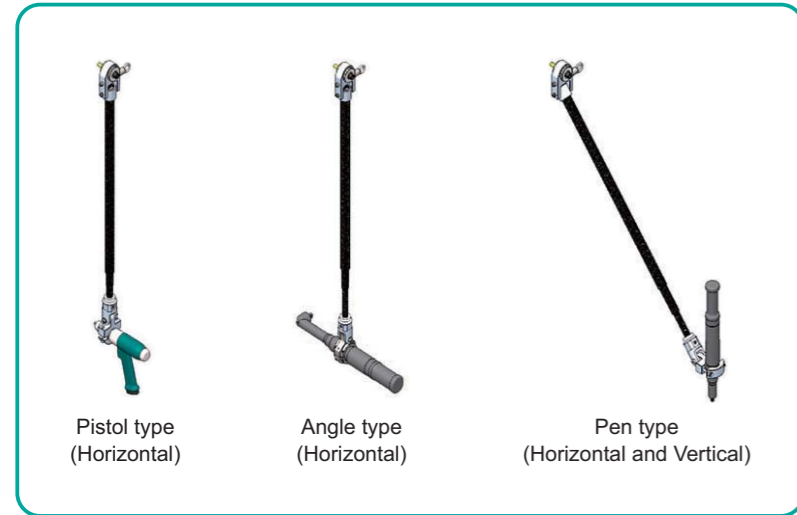
Model	Max. tightening torque(N·m)	Max. length(mm)	Min. length(mm)	Stroke(mm)	Number of rod	Capacity(kg)	Mass(kg)
HKC30N1800-25	30	1747	877	870	3	0.5-2.5	4.9
HKC30N1800-45	30	1747	877	870	3	2.5-4.5	5.1
HKC30N1800-65	30	1747	877	870	3	4.5-6.5	5.1
HKC60N1800-20	60	1761	761	1000	4	0.5-2.0	5.3
HKC60N1800-40	60	1761	761	1000	4	2.0-4.0	5.5
HKC60N1800-60	60	1761	761	1000	4	4.0-6.0	5.5
HKC60N2500-20	60	2470	1350	1120	3	0.5-2.0	5.7
HKC60N2500-40	60	2470	1350	1120	3	2.0-4.0	6.0
HKC60N2500-60	60	2470	1350	1120	3	4.0-6.0	6.0
HKC120N2300-40	120	2261	1041	1220	3	2.0-4.0	5.1
HKC120N2300-60	120	2261	1041	1220	3	4.0-6.0	5.3
HKC120N2300-80	120	2261	1041	1220	3	6.0-8.0	5.7
HKC200N1800-50	200	1775	775	1000	4	3.0-5.0	6.0
HKC200N1800-70	200	1775	775	1000	4	5.0-7.0	6.0
HKC200N2500-50	200	2460	1200	1260	3	3.0-5.0	6.3
HKC200N2500-70	200	2460	1200	1260	3	5.0-7.0	6.3

# Counter reaction arm HKA series



HKA is consisted by only torque arm part.  
Spring balancer is attached separately, so customer can apply wider capacity.

## Usage examples by tool type



## CAD data

You can download it from below link.  
→ <http://www.endo-kogyo.co.jp/japanese/download/index.html>

## Specification

Model	Max. tightening torque(N·m)	Max. length(mm)	Min. length(mm)	Stroke(mm)	Number of rod	Mass(kg)
HKA30N1550	30	1548	678	870	3	1.5
HKA60N2050	60	2039	839	1200	3	1.7
HKA120N2100	120	2092	862	1230	3	2.3
HKA200N2050	200	2053	853	1200	3	2.7
HKA300N2500	300	2480	1000	1480	3	3.2

## Recommended spring balancers for HKA

Model	Capacity(kg)	Stroke(mm)	Mass(kg)
EW-3	1~3	1300	1.4
EW-5	2.5~5	1300	1.5
ELF-3	1.5~3	2500	4.6
ELF-5	3~5	2500	4.8
ELF-9	5~9	2500	5.4



\*The mounting bolts of spring balancer for HKA series are included in the package.

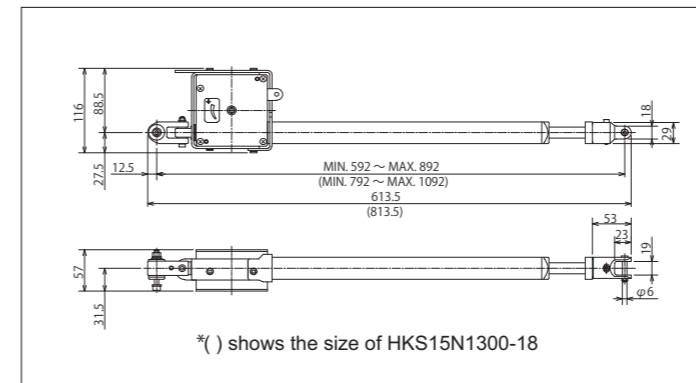
# Counter reaction balancer HKS series



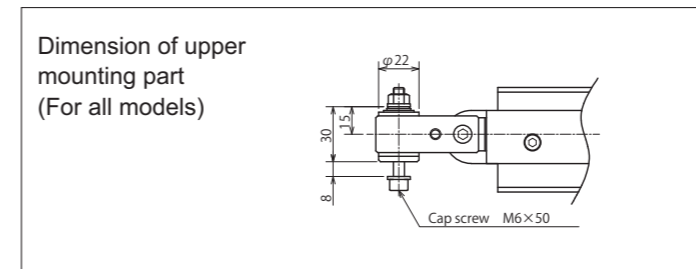
This product is suitable for small torque tightening activity on the work bench.

Square tube absorbs the torque and built-in spring balancer support the positioning of the tool.

Its clamp is 360-degree movable and applicable for multiple tightening angles.



\*( ) shows the size of HKS15N1300-18



Dimension of upper mounting part (For all models)



## Specification

Model	Tightening torque (N·m)	Max. length(mm)	Min. length(mm)	Stroke(mm)	Number of rod	Capacity(kg)	Mass(kg)
HKS15N900-20	15	892	592	300	2	0.5~2.0	2.9
HKS15N1300-18	15	1292	792	500	2	0.5~1.8	3.4

## Accessories

Part No.	Model	Mass(kg)
LBP002126	Clamp A	0.2
LBP002094	Clamp C	0.33

Clamp C makes the area of motion wider and makes tightening work easier from multiple direction.

\*The motion range depends on the condition of the working place.

